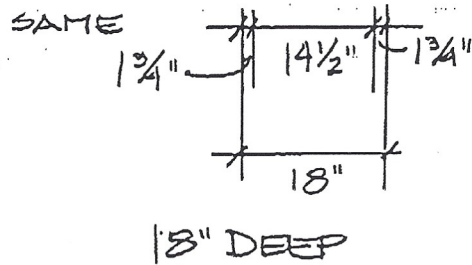
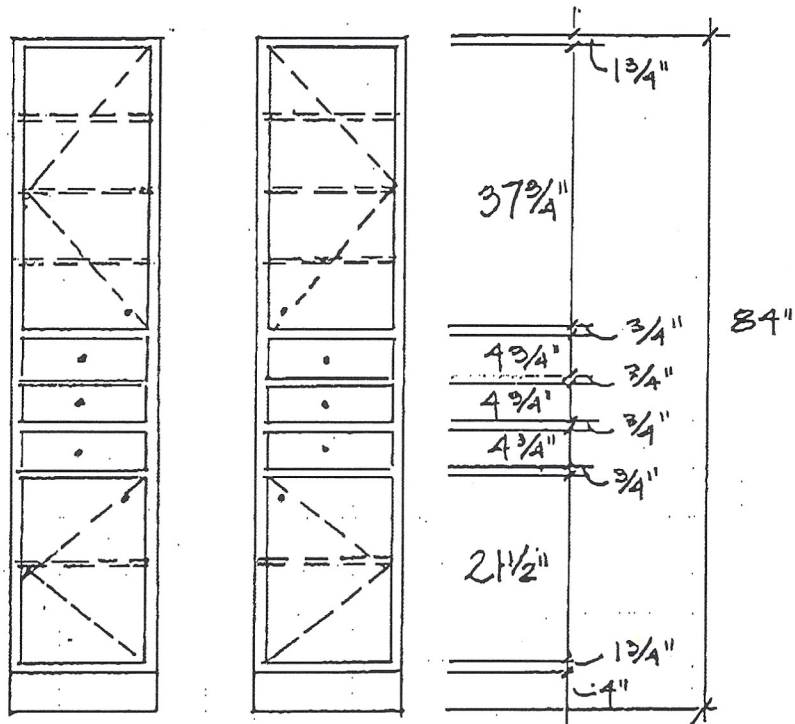


TRISKE

ITEMS # 2,3 (TALLS)
CARRIAGE HOUSE - PINE



ITEM # 4,5,6 (CROWN)

CARRIAGE HOUSE - PINE

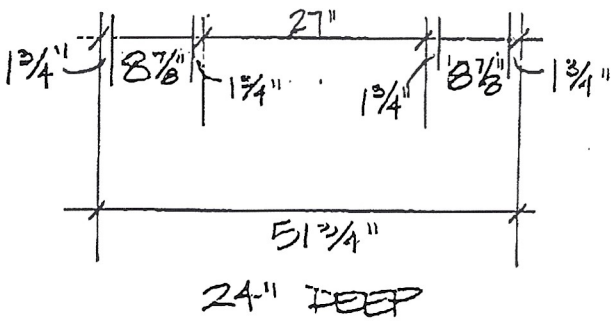
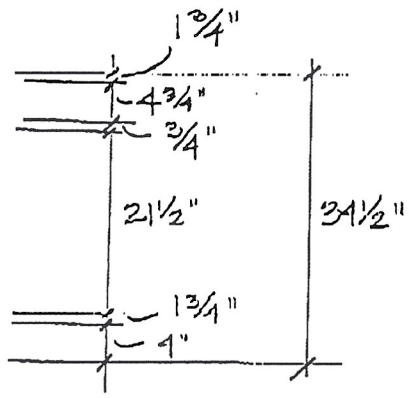
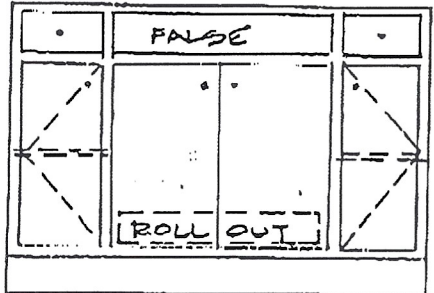
(2) MORE MPPB = 16'

(2) MORE QSS 0396-34 = 16'

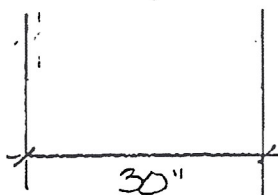
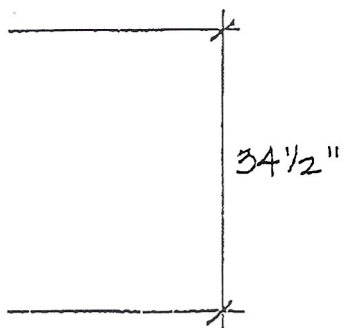
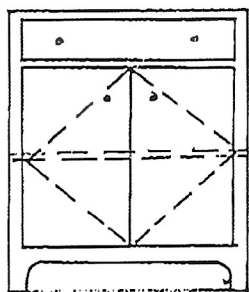
(2) MORE MCR 803 = 16'

(TWO OF EACH ABOVE AT
SITE ALREADY FOR
A TOTAL OF 32')

ITEM # 1 (SINK BASE)
 CARRIAGE HOUSE - PINE



ITEM # 1 (MICRO BASE)
CARRIAGE HOUSE - PINE



21" DEEP